

# EXPOVISION

## AV staffels

### Period of USE

*Start price x coefficient*

1 Day	x 1
2 Days	x 1,25
3 Days	x 1,5
4 Days	x 1,5
5 Days	x 1,5
6 Days	x 1,5
1 Week	x 1,5
2 Weeks	x 2
3 Weeks	x 2,5
4 Weeks	x 3
5 Weeks	x 3,5
6 Weeks	x 4
7 Weeks	x 4,5
8 Weeks	x 5
9 Weeks	x 5,5
10 Weeks	x 6
11 Weeks	x 6,5
12 Weeks	x 7

*Transport and installation days are free of charge with a maximum of 4 days domestic and 6 days abroad.*

*Conditions apply if we know at which event material is used.*

EXPOVISION

EXPVISION

**TRUSSING  
& RIGGING**

*Our range is constantly  
expanding, if there are  
things you don't see,  
please ask and we will  
see how we can help you.*

TRUSS BALLAST - 625 kg  
Prolyte / Next 30/30

NEW



PRODUCT SPECS :

80 x 80 X 50cm H  
625 kg  
Prolyte / Next  
F-type truss 30/30

DRY HIRE : YES

RM PRODUCT CODE : TRBAL625

RENTAL PRICE : 50,00

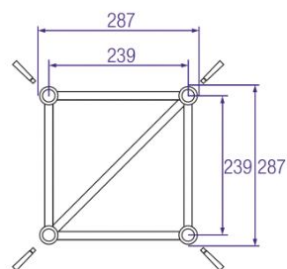
CATEGORY : STAGE

H30V-029 BLACK  
PROLYTE

NX34-029 BLACK  
NEXT



## PRODUCT SPECS :



DRY HIRE : YES

RM PRODUCT CODE :

RENTAL PRICE : 8,00

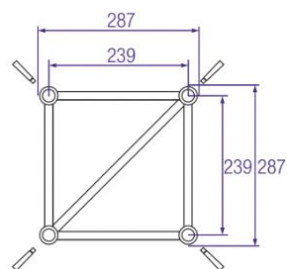
CATEGORY : TRUSSING

H30V-050 BLACK  
PROLYTE

NX34-050 BLACK  
NEXT



## PRODUCT SPECS :



DRY HIRE : YES

RM PRODUCT CODE :

RENTAL PRICE : 8,00

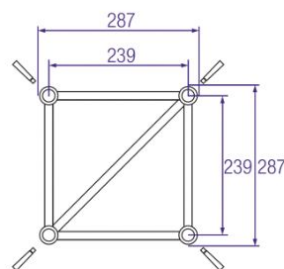
CATEGORY : TRUSSING

H30V-071 BLACK  
PROLYTE

NX34-071 BLACK  
NEXT



## PRODUCT SPECS :



DRY HIRE : YES

RM PRODUCT CODE :

RENTAL PRICE : 8,00

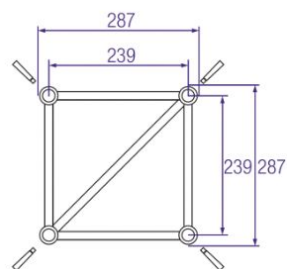
CATEGORY : TRUSSING

H30V-100 BLACK  
PROLYTE

NX34-100 BLACK  
NEXT



## PRODUCT SPECS :



DRY HIRE : YES

RM PRODUCT CODE :

RENTAL PRICE : 8,00

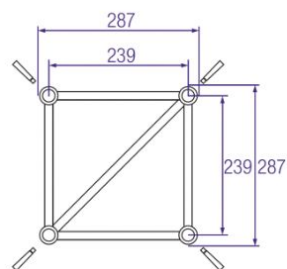
CATEGORY : TRUSSING

H30V-200 BLACK  
PROLYTE

NX34-200 BLACK  
NEXT



## PRODUCT SPECS :



DRY HIRE : YES

RM PRODUCT CODE :

RENTAL PRICE : 13,00

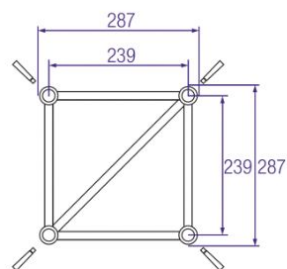
CATEGORY : TRUSSING

H30V-300 BLACK  
PROLYTE

NX34-300 BLACK  
NEXT



## PRODUCT SPECS :



DRY HIRE : YES

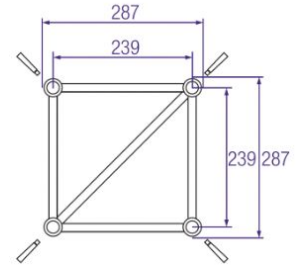
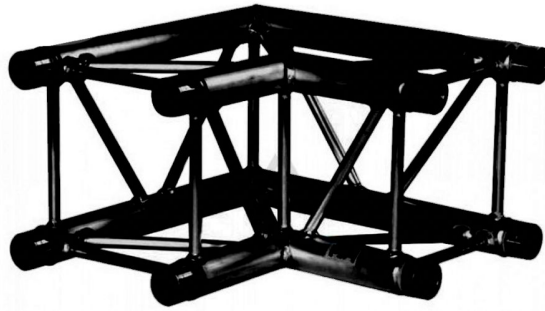
RM PRODUCT CODE :

RENTAL PRICE : 19,00

CATEGORY : TRUSSING

H30V-C003 BLACK  
PROLYTE

NX34-L90 BLACK  
NEXT



PRODUCT SPECS :



H30V-C003 2-Way  
Corner 90°

Next : NH34-L90



H30V-C017 3-Way Corner  
T-Joint

Next : NH34-T



H30V-C016 4-Way  
Corner Cross

Next : NH34-X



H30V-C012 3-Way Corner

Next ; NH34-L90D



H30V-C020 4-Way  
Corner

Next : NH34-TD



H30V-C024 5-Way  
Corner

Next : NH34-XD

DRY HIRE : YES

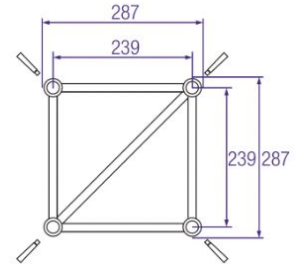
RM PRODUCT CODE :

RENTAL PRICE : 13,00

CATEGORY : TRUSSING

H30V-C017 BLACK  
PROLYTE

NX34-T BLACK  
NEXT



PRODUCT SPECS :



H30V-C003 2-Way  
Corner 90°

Next : NH34-L90



H30V-C017 3-Way Corner  
T-Joint

Next : NH34-T



H30V-C016 4-Way  
Corner Cross

Next : NH34-X



H30V-C012 3-Way Corner

Next ; NH34-L90D



H30V-C020 4-Way  
Corner

Next : NH34-TD



H30V-C024 5-Way  
Corner

Next : NH34-XD

DRY HIRE : YES

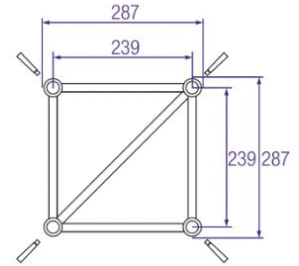
RM PRODUCT CODE :

RENTAL PRICE : 16,00

CATEGORY : TRUSSING

H30V-C016 BLACK  
PROLYTE

NX34-X BLACK  
NEXT



PRODUCT SPECS :



H30V-C003 2-Way  
Corner 90°

Next : NH34-L90



H30V-C017 3-Way Corner  
T-Joint

Next : NH34-T



H30V-C016 4-Way  
Corner Cross

Next : NH34-X



H30V-C012 3-Way Corner

Next ; NH34-L90D



H30V-C020 4-Way  
Corner

Next : NH34-TD



H30V-C024 5-Way  
Corner

Next : NH34-XD

DRY HIRE : YES

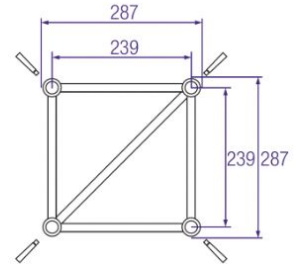
RM PRODUCT CODE :

RENTAL PRICE : 16,00

CATEGORY : TRUSSING

H30V-C012 BLACK  
PROLYTE

NX34-L90D BLACK  
NEXT



PRODUCT SPECS :



Next : NH34-L90



Next : NH34-T



Next : NH34-X



Next ; NH34-L90D



Next : NH34-TD



Next : NH34-XD

DRY HIRE : YES

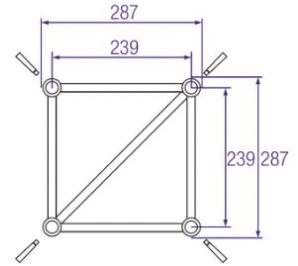
RM PRODUCT CODE :

RENTAL PRICE : 16,00

CATEGORY : TRUSSING

H30V-C020 BLACK  
PROLYTE

NX34-TD BLACK  
NEXT



PRODUCT SPECS :



H30V-C003 2-Way  
Corner 90°

Next : NH34-L90



H30V-C017 3-Way Corner  
T-Joint

Next : NH34-T



H30V-C016 4-Way  
Corner Cross

Next : NH34-X



H30V-C012 3-Way Corner

Next ; NH34-L90D



H30V-C020 4-Way  
Corner

Next : NH34-TD



H30V-C024 5-Way  
Corner

Next : NH34-XD

DRY HIRE : YES

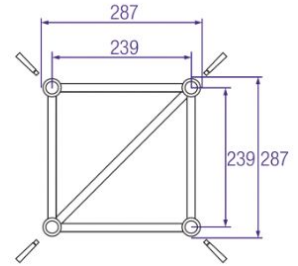
RM PRODUCT CODE :

RENTAL PRICE : 19,50

CATEGORY : TRUSSING

**H30V-C024** BLACK  
**PROLYTE**

**NX34-XD** BLACK  
**NEXT**



## PRODUCT SPECS :



**H30V-C003 2-Way  
Corner 90°**

Next : NH34-L90



**H30V-C017 3-Way Corner  
T-Joint**

Next : NH34-T



**H30V-C016 4-Way  
Corner Cross**

Next : NH34-X



**H30V-C012 3-Way Corner**

Next ; NH34-L90D



**H30V-C020 4-Way  
Corner**

Next : NH34-TD



**H30V-C024 5-Way  
Corner**

Next : NH34-XD

DRY HIRE : YES

RM PRODUCT CODE :

RENTAL PRICE : 19,50

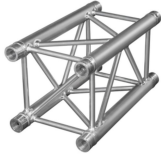
CATEGORY : TRUSSING

## H30V 29 / 50 / 71 / 100 cm PROLYTE / NEXT



H30V-029

*next code: NX34-029*



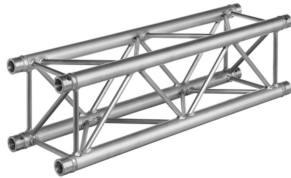
H30V-050

*next code: NX34-050*



H30V-071

*next code: NX34-051*

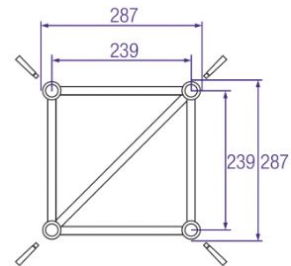


H30V-100

*next code: NX43-100*

### PRODUCT SPECS :

Heavy Duty Truss



DRY HIRE : YES

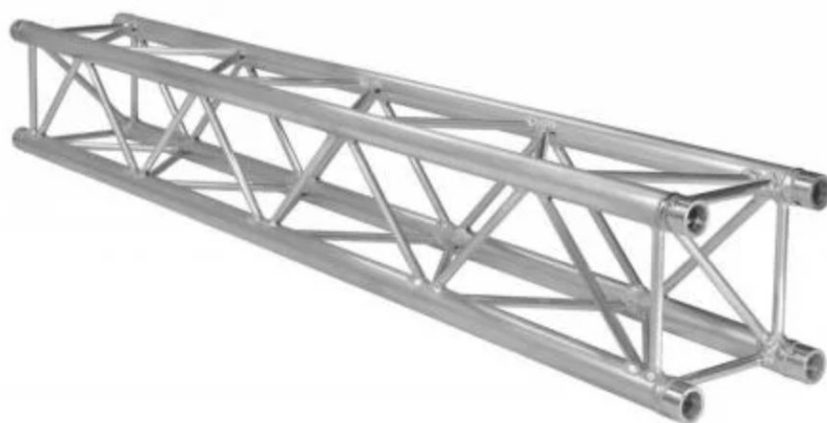
RM PRODUCT CODE : H30V-....

RENTAL PRICE : 5,50

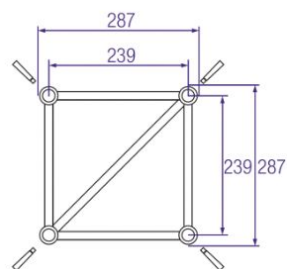
CATEGORY : TRUSSING

H30V-200  
PROLYTE

NX34-200  
NEXT



## PRODUCT SPECS :



DRY HIRE : YES

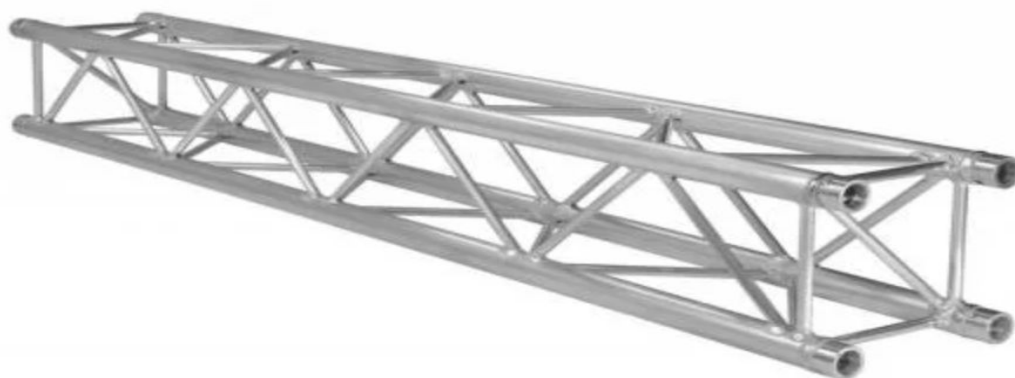
RM PRODUCT CODE : TH30V200S

RENTAL PRICE : 8,75

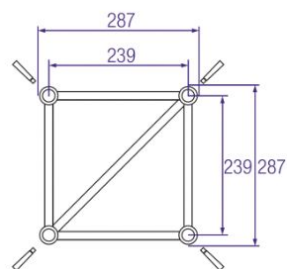
CATEGORY : TRUSSING

H30V-300  
PROLYTE

NX34-300  
NEXT



## PRODUCT SPECS :



DRY HIRE : YES

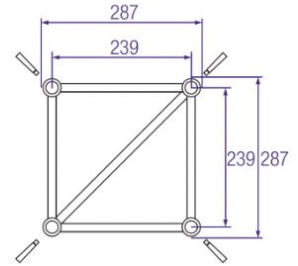
RM PRODUCT CODE : TH30V300S

RENTAL PRICE : 13,00

CATEGORY : TRUSSING

H30V-C003  
PROLYTE

NX34-L90  
NEXT



PRODUCT SPECS :



**H30V-C003 2-Way  
Corner 90°**

Next : NH34-L90



**H30V-C017 3-Way Corner  
T-Joint**

Next : NH34-T



**H30V-C016 4-Way  
Corner Cross**

Next : NH34-X



**H30V-C012 3-Way  
Corner**

Next ; NH34-L90D



**H30V-C020 4-Way  
Corner**

Next : NH34-TD



**H30V-C024 5-Way  
Corner**

Next : NH34-XD

DRY HIRE : YES

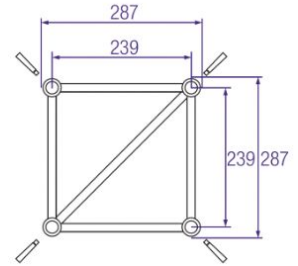
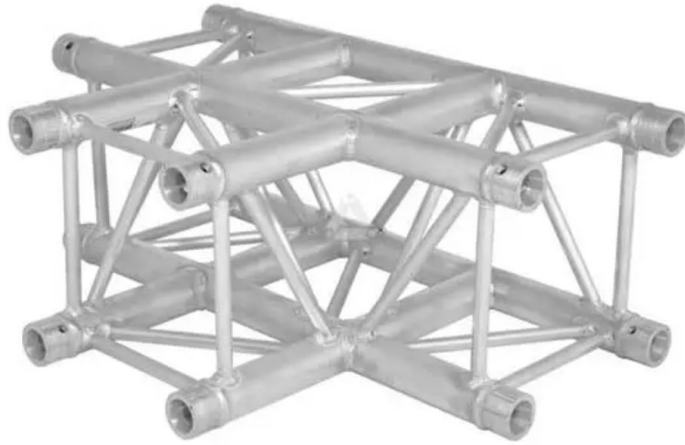
RM PRODUCT CODE :

RENTAL PRICE : 11,00

CATEGORY : TRUSSING

H30V-C017  
PROLYTE

NX34-T  
NEXT



PRODUCT SPECS :



**H30V-C003 2-Way  
Corner 90°**

Next : NH34-L90



**H30V-C017 3-Way Corner  
T-Joint**

Next : NH34-T



**H30V-C016 4-Way  
Corner Cross**

Next : NH34-X



**H30V-C012 3-Way Corner**

Next ; NH34-L90D



**H30V-C020 4-Way  
Corner**

Next : NH34-TD



**H30V-C024 5-Way  
Corner**

Next : NH34-XD

DRY HIRE : YES

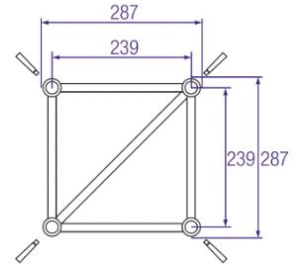
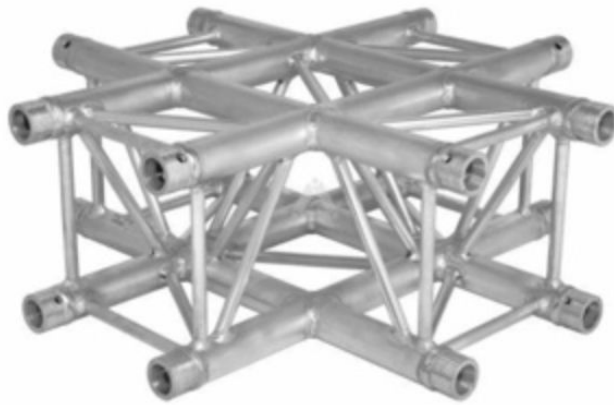
RM PRODUCT CODE :

RENTAL PRICE : 13,75

CATEGORY : TRUSSING

H30V-C016  
PROLYTE

NX34-X  
NEXT



PRODUCT SPECS :



**H30V-C003 2-Way  
Corner 90°**

Next : NH34-L90



**H30V-C017 3-Way Corner  
T-Joint**

Next : NH34-T



**H30V-C016 4-Way  
Corner Cross**

Next : NH34-X



**H30V-C012 3-Way Corner**

Next ; NH34-L90D



**H30V-C020 4-Way  
Corner**

Next : NH34-TD



**H30V-C024 5-Way  
Corner**

Next : NH34-XD

DRY HIRE : YES

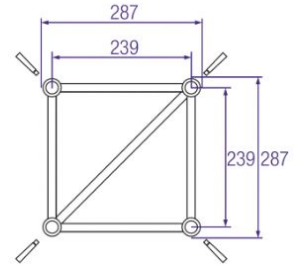
RM PRODUCT CODE :

RENTAL PRICE : 13,75

CATEGORY : TRUSSING

H30V-C012  
PROLYTE

NX34-L90D  
NEXT



PRODUCT SPECS :



**H30V-C003 2-Way  
Corner 90°**

Next : NH34-L90



**H30V-C017 3-Way Corner  
T-Joint**

Next : NH34-T



**H30V-C016 4-Way  
Corner Cross**

Next : NH34-X



**H30V-C012 3-Way  
Corner**

Next ; NH34-L90D



**H30V-C020 4-Way  
Corner**

Next : NH34-TD



**H30V-C024 5-Way  
Corner**

Next : NH34-XD

DRY HIRE : YES

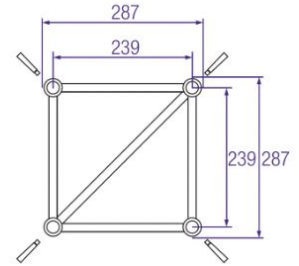
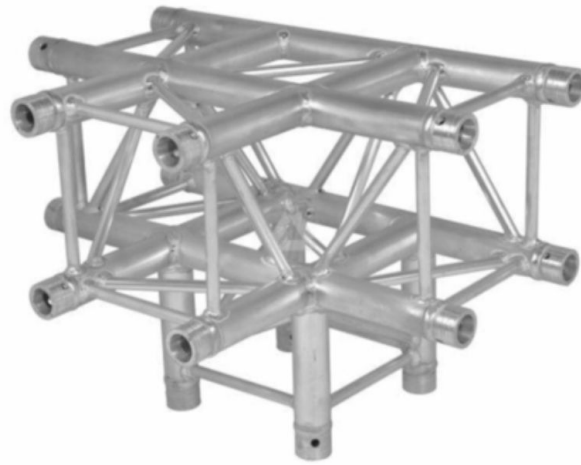
RM PRODUCT CODE :

RENTAL PRICE : 13,75

CATEGORY : TRUSSING

H30V-C020  
PROLYTE

NX34-TD  
NEXT



PRODUCT SPECS :



**H30V-C003 2-Way  
Corner 90°**

Next : NH34-L90



**H30V-C017 3-Way Corner  
T-Joint**

Next : NH34-T



**H30V-C016 4-Way  
Corner Cross**

Next : NH34-X



**H30V-C012 3-Way Corner**

Next ; NH34-L90D



**H30V-C020 4-Way  
Corner**

Next : NH34-TD



**H30V-C024 5-Way  
Corner**

Next : NH34-XD

DRY HIRE : YES

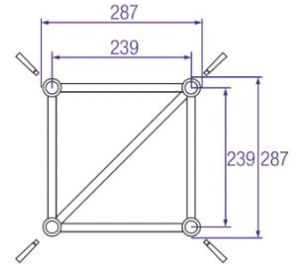
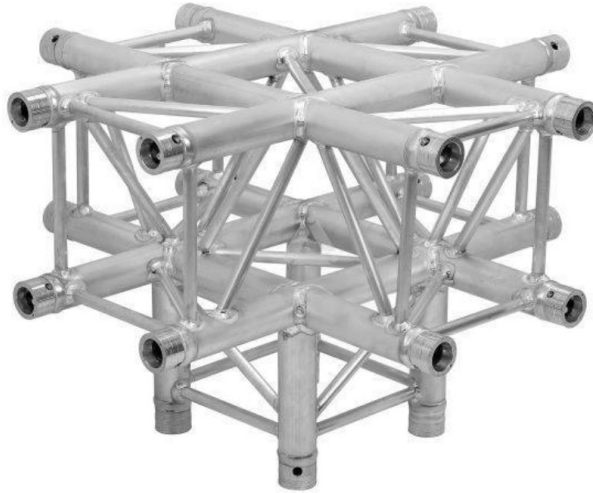
RM PRODUCT CODE :

RENTAL PRICE : 16,50

CATEGORY : TRUSSING

H30V-C024  
PROLYTE

NX34-XD  
NEXT



PRODUCT SPECS :



**H30V-C003 2-Way  
Corner 90°**

Next : NH34-L90



**H30V-C017 3-Way Corner  
T-Joint**

Next : NH34-T



**H30V-C016 4-Way  
Corner Cross**

Next : NH34-X



**H30V-C012 3-Way Corner**

Next ; NH34-L90D



**H30V-C020 4-Way  
Corner**

Next : NH34-TD



**H30V-C024 5-Way  
Corner**

Next : NH34-XD

DRY HIRE : YES

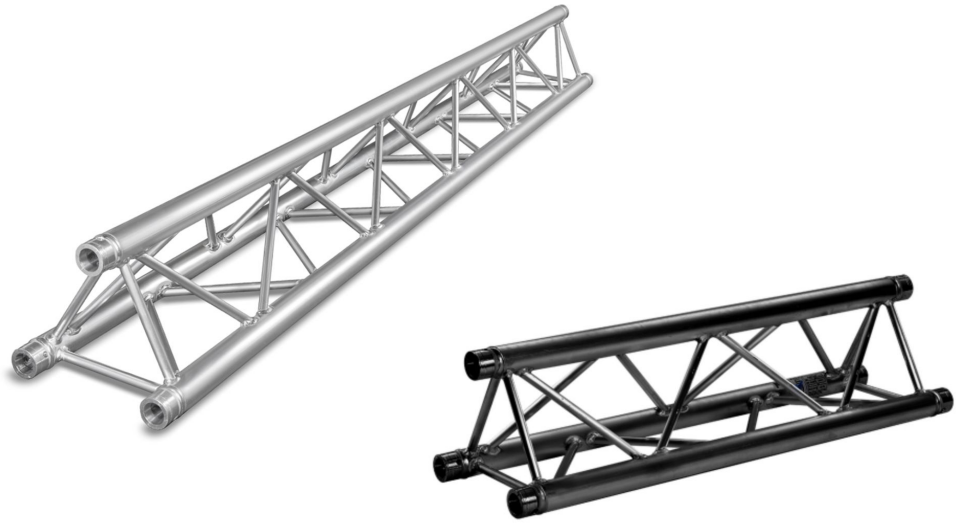
RM PRODUCT CODE :

RENTAL PRICE : 16,50

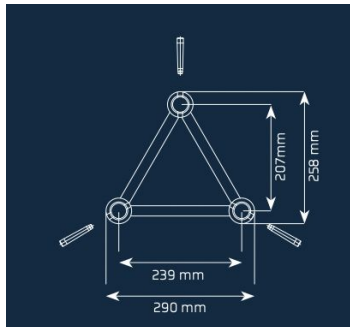
CATEGORY : TRUSSING

**X30-D** SILVER & BLACK  
**PROLYTE**

**NX33-X** SILVER & BLACK  
**NEXT**



## PRODUCT SPECS :



All lengths & corners on demand

DRY HIRE : YES

RM PRODUCT CODE :

RENTAL PRICE : Price on demand

CATEGORY : TRUSSING

# LEGM290V | 572-950 Adjustable pedestal leg 57



## PRODUCT SPECS :

Adjustable pedestal leg 572-950mm

Compatible for PROLYTE X30-V H30-V , NEXT NX34 and Milos F-type

7,7 kg

Milos

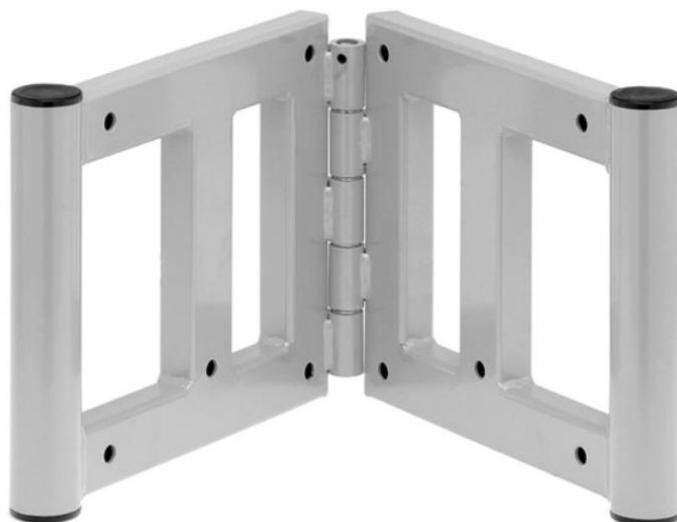
DRY HIRE : YES

RM PRODUCT CODE :

RENTAL PRICE : 17,50

CATEGORY : TRUSSING

# BOOK CORNER PROLYTE



## PRODUCT SPECS :

Book Corner for H30V en X30 series

DRY HIRE : YES

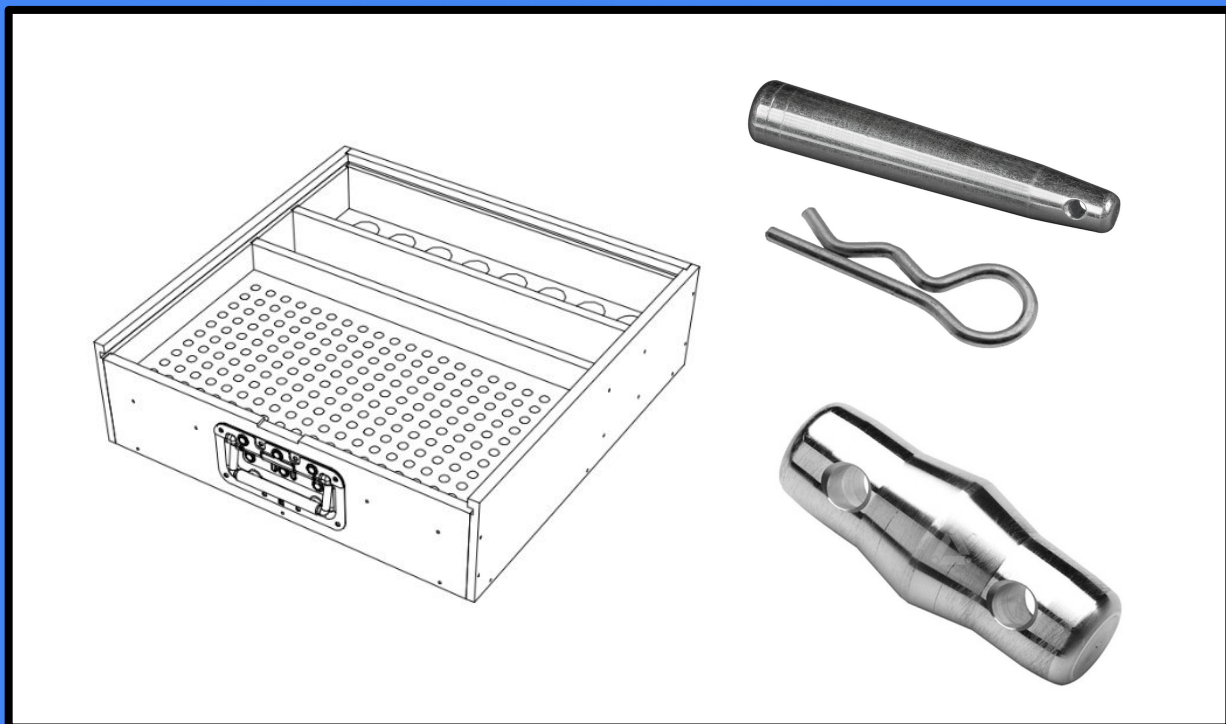
RM PRODUCT CODE :

RENTAL PRICE : Price on demand

CATEGORY : TRUSSING

PINCASE 200  
PROLYTE

PINCASE 200  
NEXT



PRODUCT SPECS :

200x pins & clips  
16x conical coupler

DRY HIRE : YES

RM PRODUCT CODE :

RENTAL PRICE : 20,00

CATEGORY : TRUSSING

# ALU PIPE 48mm Black



## PRODUCT SPECS :

Black ALU pipe 0,5m / 1m / 2m / 3m / 4m / 5m / 6m

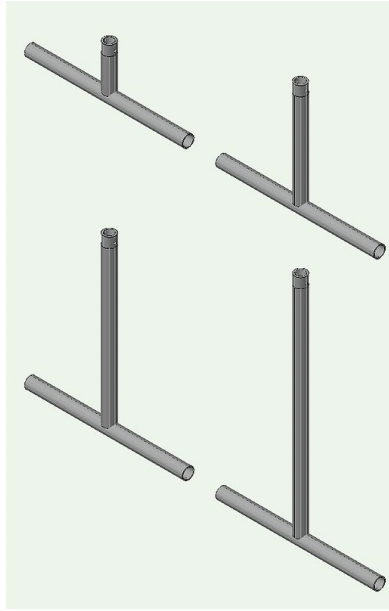
DRY HIRE : YES

RM PRODUCT CODE :

RENTAL PRICE : 1,50 / lopende meter

CATEGORY : TRUSSING

## Downrigger



### PRODUCT SPECS :

Downrigger 25 - 50 - 75 - 100 cm  
+ C-clamp with half coupler  
B = 65 cm

DRY HIRE : YES

RM PRODUCT CODE :

RENTAL PRICE : 7,50 / pcs

CATEGORY : TRUSSING

## MPT - TOWER PROLYTE



### PRODUCT SPECS :

The MPT tower is based on H30V truss and employs a sleeve block that fits to any of the 30 or 40 Series trusses on all four sides by means of bolted CCS6 couplers (either male or female). In combination with an adapter plate, it is also possible to use the sleeve block with either S36R or S36V truss. The MPT tower has a self-weight of 115 kg. The MPT sleeve block is a fully bolted structural element, making it much stronger and more precise than conventional welded versions. The top section and base section can facilitate the use of either a hand winch or a chain hoist. The MPT tower is a cost-effective investment. You need only purchase the special parts if you wish to expand your truss system with towers.

DRY HIRE : NO - Only with Expovision crew

RM PRODUCT CODE :

RENTAL PRICE : Price on demand

CATEGORY : TRUSSING

## BASEPLATE Prolyte / Next



### PRODUCT SPECS :

- 100 x 100 CM
- 40 kg

DRY HIRE : YES

RM PRODUCT CODE :

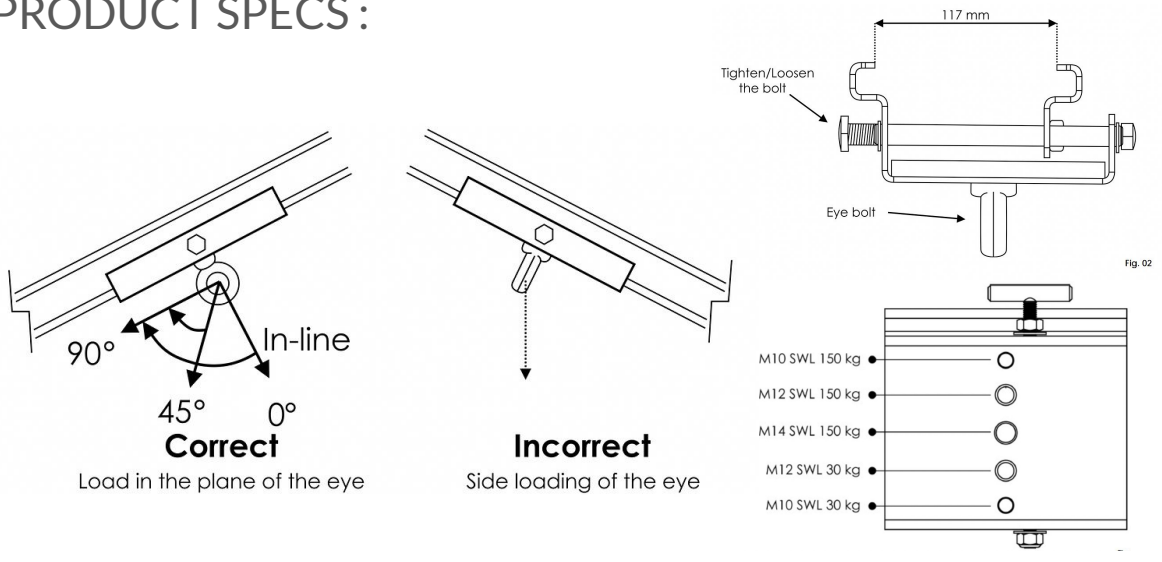
RENTAL PRICE : 11,00

CATEGORY : TRUSSING

# TENTCLAMP - max.150kg DAP



## PRODUCT SPECS :



DRY HIRE : YES

RM PRODUCT CODE :

RENTAL PRICE : 10,00

# DOUBLE C-CLAMP

Doughty



## PRODUCT SPECS :

- available in silver or black
- fits all truss

DRY HIRE : YES

RM PRODUCT CODE :

RENTAL PRICE : 3,00

CATEGORY : RIGGING

MANUAL HOIST

SOFT STEEL + HARP



## PRODUCT SPECS :

Manual hoist 500kg

Soft Steel  
+ harp 3.5 ton

DRY HIRE : YES

RM PRODUCT CODE :

RENTAL PRICE : 20,00 / 3,00

CATEGORY : RIGGING

EXPOVISION

EXPVISION

**WORK LIFTS  
& TRIPODS**

*Our range is constantly  
expanding, if there are  
things you don't see,  
please ask and we will  
see how we can help you.*

## Wind-up Manfrotto



### PRODUCT SPECS :

Heavy-duty lighting stand with 370 cm max height · Levelling leg for uneven terrain · Made of durable black chrome steel

DRY HIRE : YES

RM PRODUCT CODE :

RENTAL PRICE : 15,00

CATEGORY : TRIPODS

## BALLET TOREN Expovision



### PRODUCT SPECS :

- Uitschuifbare Ballettoren met 4 rijen.
- Uitschuifbaar in verschillende standen.
- Verstelbare buizen.
- Op wielen met rem , kan heel snel op en af een podium.
- Voorzien van verzwaarde base voor stabiliteit.

DRY HIRE : YES

RM PRODUCT CODE :

RENTAL PRICE : 70,00

CATEGORY : BALLET TOREN

## LIFT LM 450 - 250 kg ALP



### PRODUCT SPECS :

Up to 4,5 m

Max. 250 kg



DRY HIRE : YES

RM PRODUCT CODE : LALPLM450

RENTAL PRICE : 45,00

CATEGORY : WORK LIFTS

## LIFT LM 750 - 300 kg ALP



### PRODUCT SPECS :

Up to 7,5 m

Max. 300 kg



DRY HIRE : YES

RM PRODUCT CODE : LALPLM750

RENTAL PRICE : 55,00

CATEGORY : WORK LIFTS

## LIFT L476 - 350 kg ALP

**NEW**



### PRODUCT SPECS :

Hefhoogte: 4.76 meter  
Max. 350 kg

Ingeschoven hoogte: 1,87 meter

Eigen gewicht: 143 kg

DRY HIRE : YES

RM PRODUCT CODE : LALPL476

RENTAL PRICE : 55,00

CATEGORY : WORK LIFTS

## LIFT L512 - 350 kg ALP

**NEW**



### PRODUCT SPECS :

Hefhoogte: 5,12 meter  
Max. 350 kg

Transporthoogte: 1,60 meter

Eigen gewicht: 153 kg.

DRY HIRE : YES

RM PRODUCT CODE : LALPL512

RENTAL PRICE : 55,00

CATEGORY : WORK LIFTS

# UP-RIGHT PHC940 ALP



## PRODUCT SPECS :

Up to 9,40 m - 1 person

DRY HIRE : YES

RM PRODUCT CODE : LALPPHC940

RENTAL PRICE : 149,00

CATEGORY : PERSON LIFT

## SCISSOR LIFT COMPACT 1 Ton Zoomlion



### PRODUCT SPECS :

- Schaarhoogtewerker kan getransporteerd worden door de meeste gewone vrachtwagens met een laadklep van 1 ton en dit door laag eigen gewicht , dus er moet geen speciaal vervoer voorzien worden zoals bij de meeste schaarliften.
- Werkhoogte: 6.50 meter
- Hef Capaciteit 240 kg
- Transporthoogte (rails up/down) 2,05/1,70 mtr
- Lengte x breedte 1,44 x 0,76 mtr
- Eigen gewicht 895 kg

DRY HIRE : YES

RM PRODUCT CODE : LSCISCOMP

RENTAL PRICE : 149,00

CATEGORY : SCISSOR LIFT

# CONCRETE COUNTERWEIGHT

340 kg

145 kg

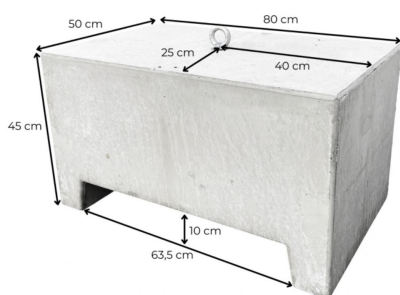


## PRODUCT SPECS :

Counter weight

340 kg

145 kg



DRY HIRE : YES

RM PRODUCT CODE : SCON340

SCON145

RENTAL PRICE :

20,00

10,00

CATEGORY : STAGE